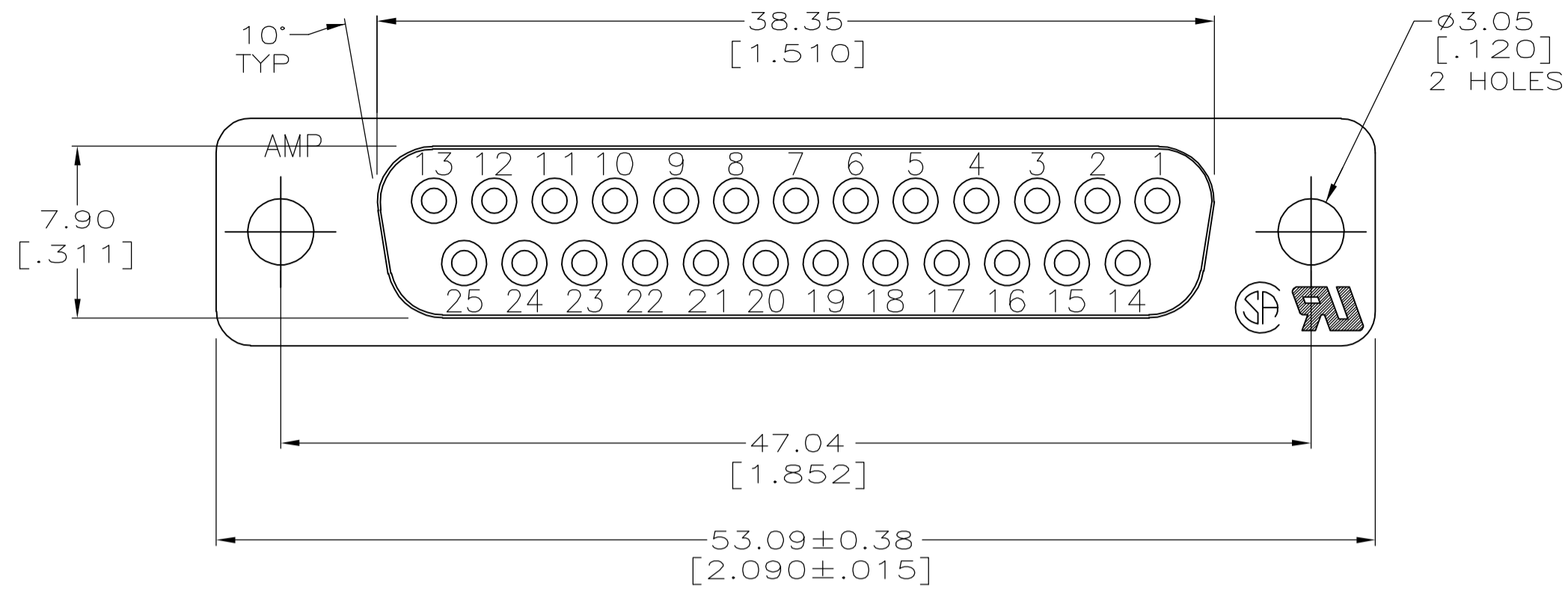
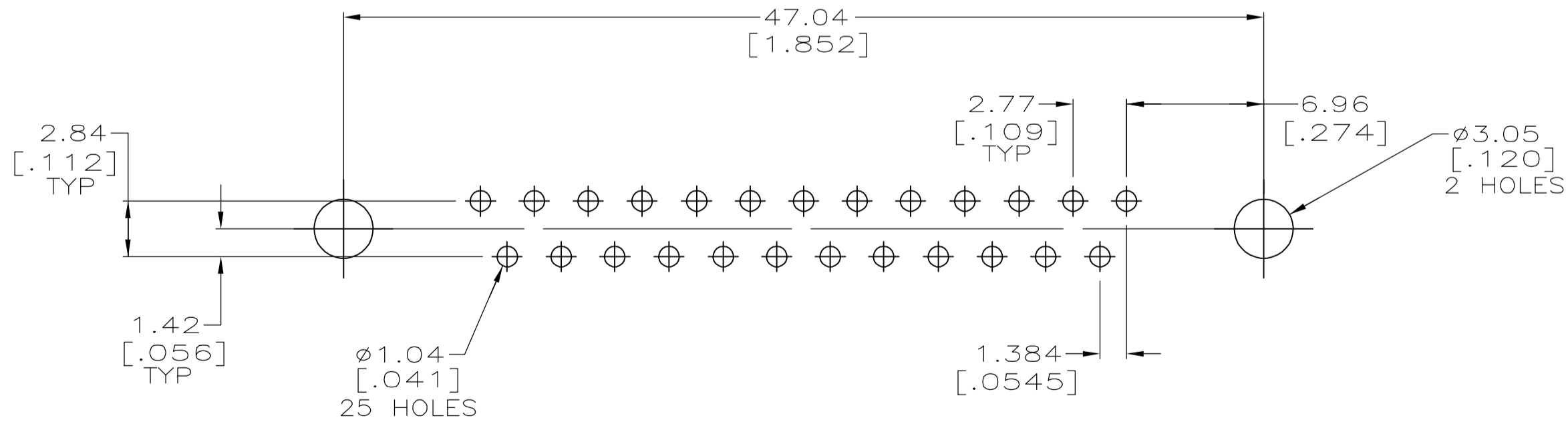
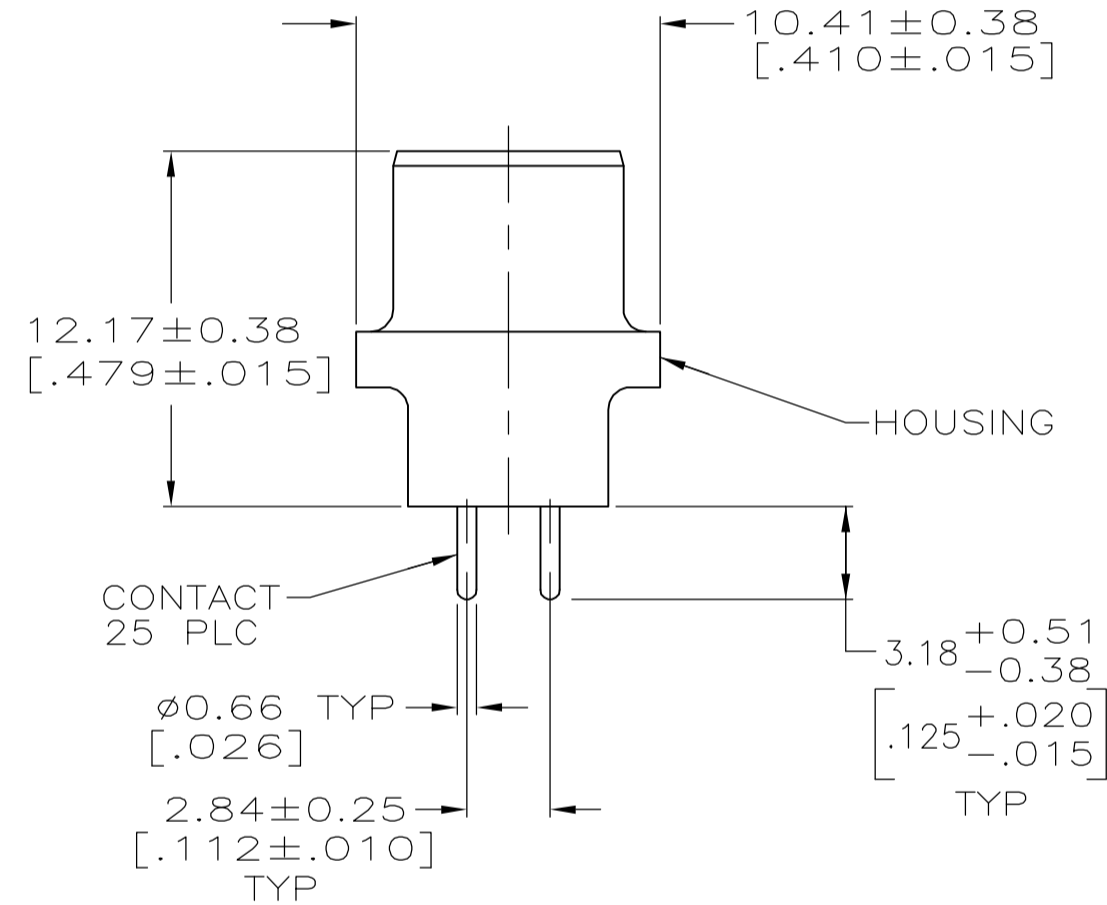
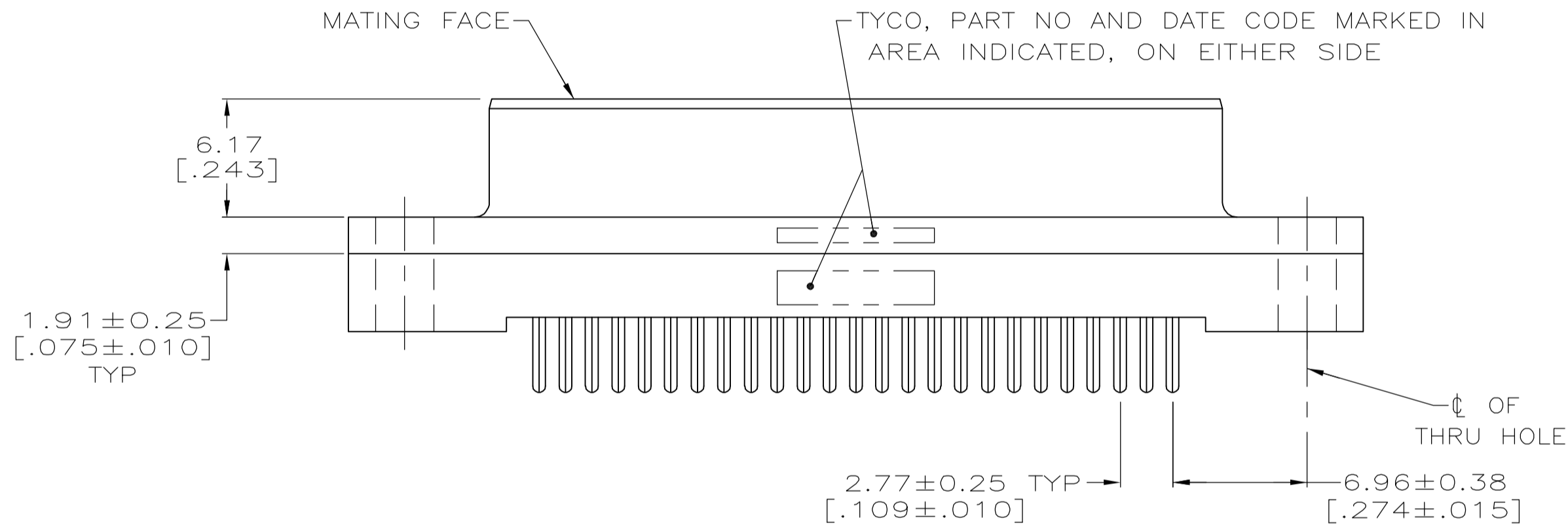


THIS DRAWING IS UNPUBLISHED. RELEASED FOR PUBLICATION  
 © COPYRIGHT BY TYCO ELECTRONICS CORPORATION. ALL RIGHTS RESERVED.

LOC		DIST		REVISIONS			
P	LTR	DESCRIPTION	DATE	DWN	APVD		
GP	00	0	RELEASED PER EC 0513-0087-05	08SEP05	GP	JG	



- 1 HOUSING: BLACK POLYESTER, UL 94V-0 RATED. CONTACTS: PHOSPHOR BRONZE.
- 2 GOLD FLASH FOR A LENGTH OF 2.54 [.100] MIN FROM MATING END, 2.54  $\mu\text{m}$  [.000100] MIN TIN FOR A LENGTH OF 3.18 [.125] FROM OPPOSITE END, ALL OVER 1.27  $\mu\text{m}$  [.000050] MIN NICKEL.
- 3 0.76  $\mu\text{m}$  [.000030] MIN GOLD FOR A LENGTH OF 2.54 [.100] MIN FROM MATING END, 2.54  $\mu\text{m}$  [.000100] MIN TIN FOR A LENGTH OF 3.18 [.125] FROM OPPOSITE END, ALL OVER 1.27  $\mu\text{m}$  [.000050] MIN NICKEL.



RECOMMENDED PC BOARD MOUNTING DIMENSIONS

**COPYRIGHT 2005  
 TYCO ELECTRONICS CORP  
 ALL RIGHTS RESERVED**

3	5207828-4
2	5207828-3
CONTACT FINISH	PART NO

THIS DRAWING IS A CONTROLLED DOCUMENT.		DWN G.PETERS 08SEP05	Tyco Electronics Corporation	
DIMENSIONS: INCHES		CHK S.BOLASH 08SEP05	Harrisburg, PA 17105-3608	
TOLERANCES UNLESS OTHERWISE SPECIFIED:		APVD M.WALMSLEY 08SEP05	NAME	
0 PLC ± -	1 PLC ± -	PRODUCT SPEC	RECEPTACLE ASSEMBLY, SIZE 3,	
2 PLC ± 0.13 [.005]	3 PLC ± -	APPLICATION SPEC	25 POSN, VERTICAL,	
4 PLC ± -	ANGLES ± 2°	108-40025	AMPLIMITE HD-20	
MATERIAL	FINISH	WEIGHT -	SIZE A2	CAGE CODE 00779
1	CONTACTS: SEE TABLE	CUSTOMER DRAWING	DRAWING NO C=5207828	RESTRICTED TO -
			SCALE 4:1	SHEET 1 of 1
			REV 0	